

DYNA Engineering

**Manufacturers & Suppliers of
Conveyor Equipment & Services**

DYNA-TRAC ME Plows



11 Rio St Bayswater WA 6053

PO Box 84 Bayswater WA 6933

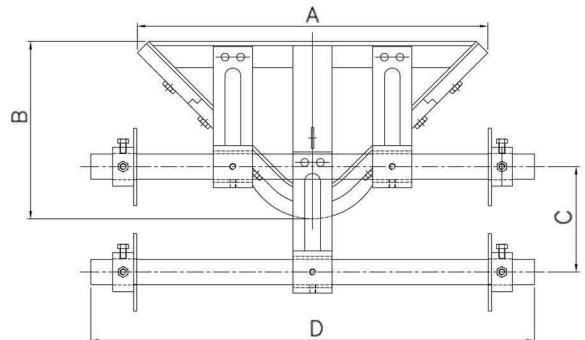
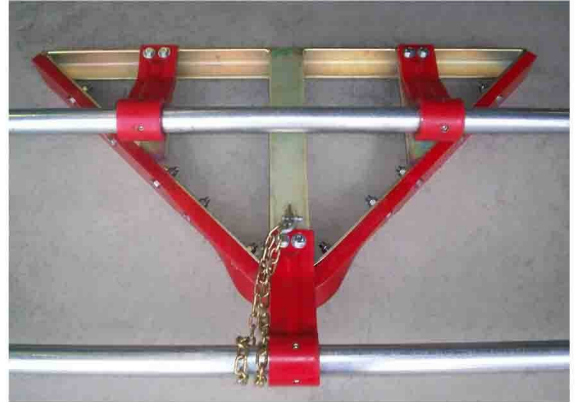
Telephone 08 9473 4300 Fax 08 9473 4399 Freecall 1800 801 558

DYNA-TRAC ME PLOWS

ME Plow is a cleaner used to remove fugitive material which may have fallen onto the return side of the belt. This material may cause damage to conveyor components including tail pulleys, pulley lagging, belting, and carry idlers. In particular, larger lumps may puncture the belt or cause damage to the belt carcass. Fitted with highly wear resistant long life blades, ME Plow cleans the bottom cover of the belt without damaging the belt surface. Belt vibration is eliminated due to constant contact from the plow blades.

Design Features

- Fitted with highly wear resistant polyurethane long life blades.
- Fitted with polyurethane arms which act as springs resulting in the belt cleaner maintaining contact with the belt, without damaging the belt surface.
- Polyurethane arms can be adjusted so as to provide a range of tensions between cleaner and belt.
- Blade is built in three sections, allowing easy replacement.
- Can be easily installed in almost any location. Safety chain to protect tail pulley.

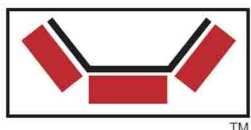


Optional Equipment

- Standard Finish - Zinc Plated, or Stainless Steel option.

ME-Plow Specifications

Belt Width	450	500	600	750	900	1050	1200	1350	1400	1500	1600	1670	1800	1830	2000	2100	2200	2400
Dyna-Trac Standard Light Duty ME-Plow P/N	06-12-0450	06-12-0500	06-12-0600	06-12-0750	06-12-0900	06-12-1050	06-12-1200	06-12-1350	06-12-1400	06-12-1500	06-12-1600	06-12-1670	06-12-1800	06-12-1830	06-12-2000	06-12-2100	06-12-2200	06-12-2400
Dimension A	572	572	672	822	1122	1122	1272	1472	1472	1572	1672	1742	1902	1902	2072	2172	2272	2472
Dimension B	290	290	340	415	565	565	640	740	740	790	840	875	955	955	1040	1090	1140	1240
Dimension C	152	152	202	278	398	427	502	602	602	652	702	737	817	817	902	952	1002	1102
Dimension D	1100	1100	1150	1300	1700	1700	1950	2100	2100	2500	2500	2500	2700	2700	3000	3300	3300	3500



DYNA
Engineering

11 Rio St
Bayswater WA 6053
Phone 08 9473 4300
Fax 08 9473 4399

PO Box 84
Bayswater WA 6933
Freecall 1800 801 558
www.dynaeng.com.au
Email dyna@dynaeng.com.au