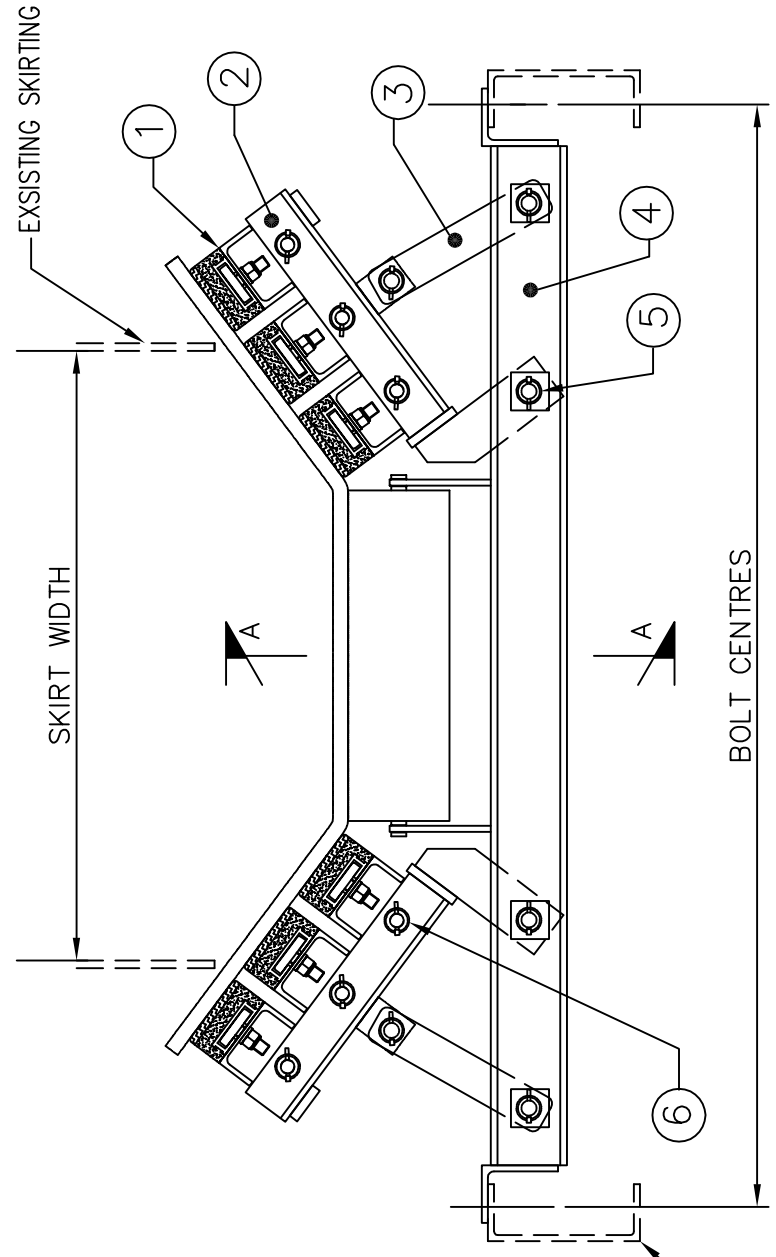
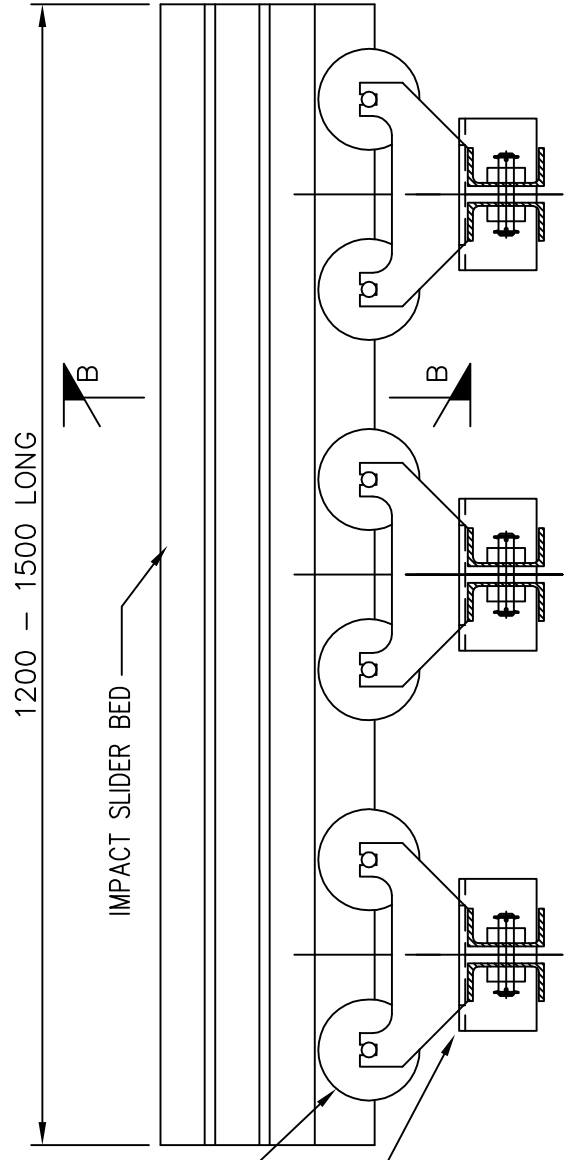


ENGINEERS RESTRICTED INFORMATION

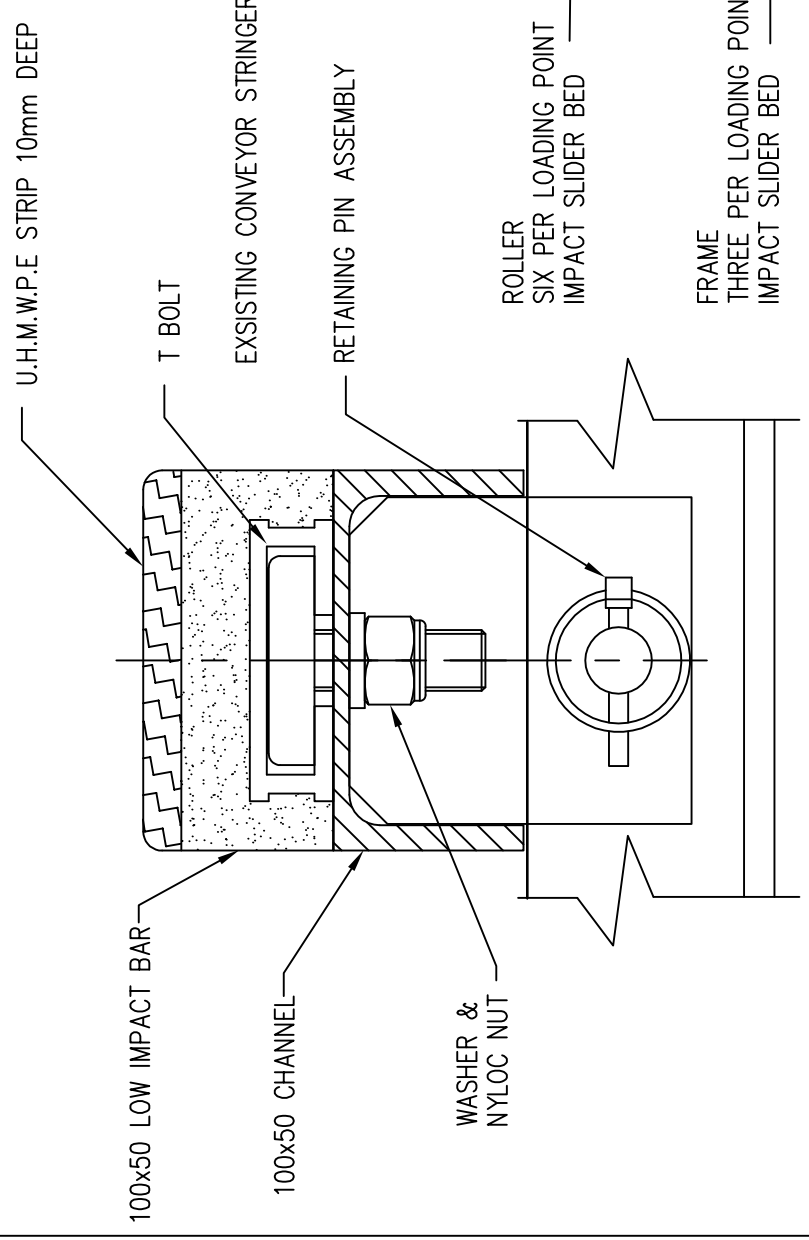
THIS DRAWING AND ITS CONTENTS ARE BASED UPON TECHNOLOGY DEVELOPED BY DYNA ENGINEERING AND IS CONFIDENTIAL. THEY ARE SUBJECT TO RETURN ON DEMAND AND MAY NOT BE COPIED OR DISCLOSED TO ANY THIRD PARTY OR USED DIRECTLY OR INDIRECTLY FOR ANY OTHER PURPOSE THAN AS EXPRESSLY DETERMINED BY DYNA ENGINEERING, CONFIRMED IN WRITING.



1 ELEVATION IMPACT BED
SCALE 1:10 FRONT VIEW



A SECTION IMPACT BED
SCALE 1:10 SIDE VIEW



B SECTION LOW FRICTION ASSEMBLY RETAINER MEMBER
SCALE 1:2 5 PER LOW FRICTION BAR ASSEMBLY

NOTES
 - ALL METAL STRUCTURAL COMPONENTS ARE HOT DIPPED GALVANIZED AFTER FABRICATION
 - ALL METAL FASTENERS AND FIXTURES ELECTRO GOLD PASSIFIED
 - ALL POLYMER AND RUBBER MATERIAL IN NATURAL STATE.

ITEM	DESCRIPTION/DWG NO.	P/N	QTY	UNIT	NO.	REVISION	DRN.	CHD.	DATE	TITLE
1	LOW FRICTION BAR ASSEMBLY		6							
2	SIDE ARM ASSEMBLY		6							
3	SUPPORT BRACE		6							
4	MAIN FRAME		4							
5	RETAINING PIN (LONG)	01-11-8002	24							
6	RETAINING PIN (SHORT)	01-11-8001	24							
						ISSUED FOR MANUFACTURE	GG	BS	210607	

CAD'S NO. :

DESIGN: DYNA
 CHKD.:
 DRN.: GG
 SCALE: AS SHOWN
 DATE: 210607
 GENERAL CUTTING TOLERANCE ±0.25 ABSOLUTE

DYNA Engineering
 P.O. BOX 518, DIANELLA WA 6059
 TEL: (08) 9473 4300 FAX: (08) 9473 4399
 DWG. NO. GA-0083 REV. A A3

CLIENT: _____
 TITLE: HYBRID SLIDR BED (ROLLER AND BAR) FOR 1200mm BELT WIDTH/35° TROUGHING ANGLE GENERAL ARRANGEMENT