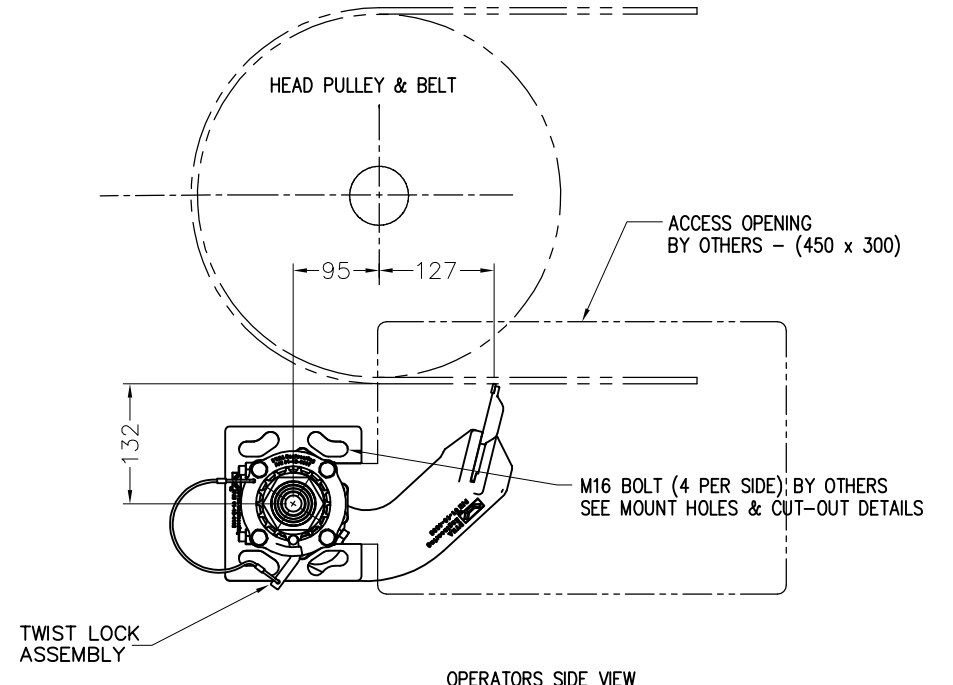
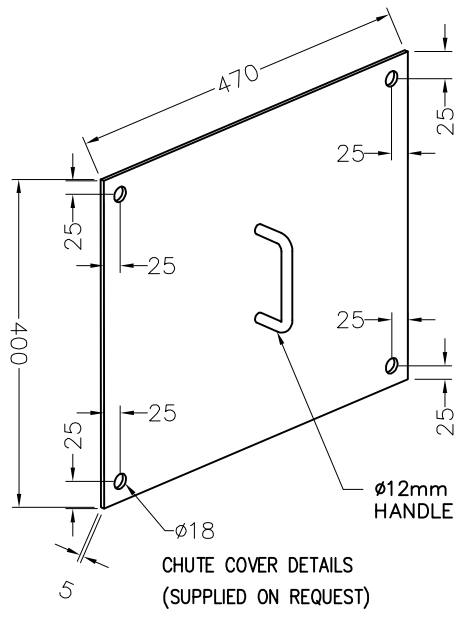


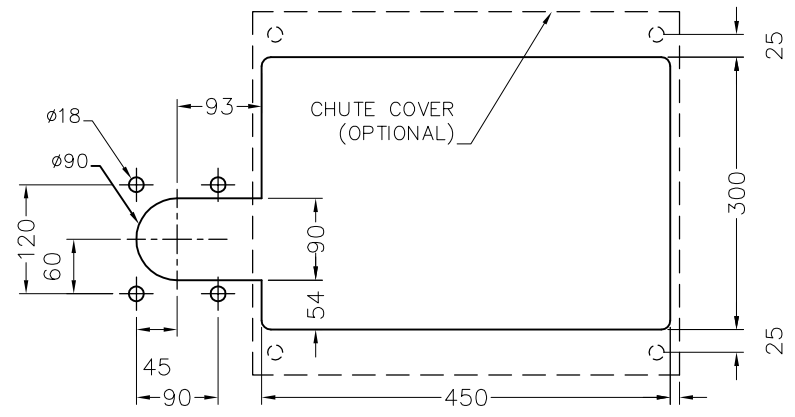
FRONT VIEW



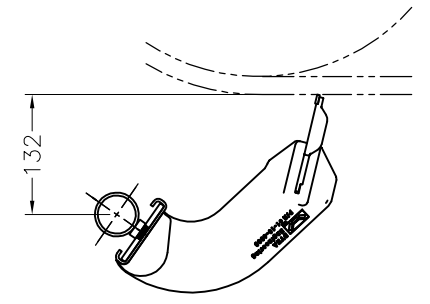
OPERATORS SIDE VIEW



CHUTE COVER DETAILS (SUPPLIED ON REQUEST)



OPERATOR & FAR SIDE MOUNT HOLES & CUT-OUT DETAILS - BY OTHERS



FAST FIT N2L SCRAPER SYSTEM BLADE MOUNTING DETAIL

FOR SCRAPERS 1500 BELT WIDTH AND ABOVE CONTACT **DYNA ENGINEERING** FOR INSTALLATION ADVICE

BELT WIDTH	350	400	450	500	600	650	750	800	900	1000	1050	1100	1200	1350	1400	1500	1600	1800	2000	2100	2200	2400	2500	2600	2800	3000	3500
BLADE MODULES	2	3	3	3	4	5	6	6	7	7	8	9	10	11	12	13	13	14	15	16	17	18	18	22	22	22	22
BLADE COVERAGE	300	450	450	450	600	750	900	900	1050	1050	1250	1350	1500	1650	1800	1950	1950	2100	2250	2400	2550	2700	2700	3300	3300	3300	3300
SHAFT DIAMETER	Ø60.3										Ø76.1						Ø76.1 DUAL										
DIM. A	400	550	700	700	1000	1150	1150	1300	1600	1750	2050	2050	2200	2350	2500	2500	2650	2800	3400	3400	3600	3700	3800	4000	4200	4700	4700
DIM. B	1300	1500	1600	1800	2000	2100	2200	2400	2600	2900	3200	3400	3600	3700	3800	4000	4200	4700	4700	4700	4700	4700	4700	4700	4700	4700	4700
NOM O/S CHUTE	700	900	1000	1200	1400	1500	1600	1800	2000	2300	2600	2800	3000	3100	3200	3400	3600	4100	4100	4100	4100	4100	4100	4100	4100	4100	4100

NOTES.

- SCRAPER DETAILED FOR A 1000mm WIDE BELT.
- TENSIONER CAN BE FITTED TO EITHER SIDE.
- SCRAPER WILL BE SUPPLIED WITH A SPECIALIZED TOOL FOR ADJUSTMENT, CONTACT DYNA FOR FURTHER INFORMATION.
- CHUTE COVER SUPPLIED ON REQUEST.

NOTES.
 1. FAST FIT N2L SCRAPER SHOWN IS FOR A 1000mm WIDE BELT.
 2. PATENT PENDING 2015902549

FASTFIT ORDERING INFORMATION

SCRAPER BODY PART NUMBER - 03-20-(BELT WIDTH)
 EXAMPLE
 1000 BELT WIDTH SCRAPER PART NUMBER - 03-20-1000

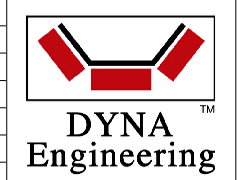
THIRD ANGLE PROJECTION DO NOT SCALE

REV	DESCRIPTION	DATE	BY	CHKD.
G				
F				
E				
D				
C				
B	DIMENSION TABLE (SHAFT DIMAETER)	060917	SJ	GG
A	FIRST ISSUE	070616	SJ	GG
No.	REVISION	DATE	DRN.	CHD.

TITLE
 FastFit N2L SECONDARY RETRACTABLE SCRAPER
 SHOWN WITH TWIST LOCK ADJUSTER
 GENERAL ARRANGEMENT
 P/N 03-20-0350 TO 03-20-3500

THIS IS A WORKSHOP DRAWING AND IS NOT TO BE ISSUED OUTSIDE OF DYNA ENGINEERING UNLESS AUTHORISED COPYRIGHT APPLIES.

DESIGN DYNA
 DRN. SJ
 DATE 070616
 CHKD. GG
 DATE 070616
 APPD.
 DATE



P.O. BOX 84
 BAYSWATER WA 6933
 TEL: (08)9473 4300
 FAX: (08)9473 4399