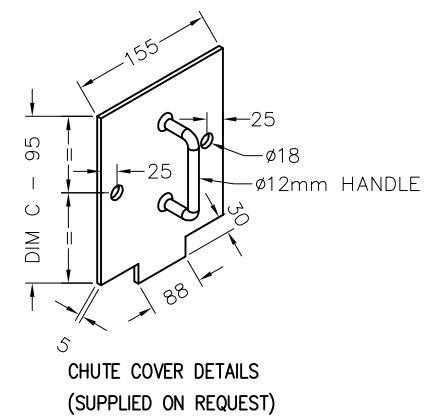
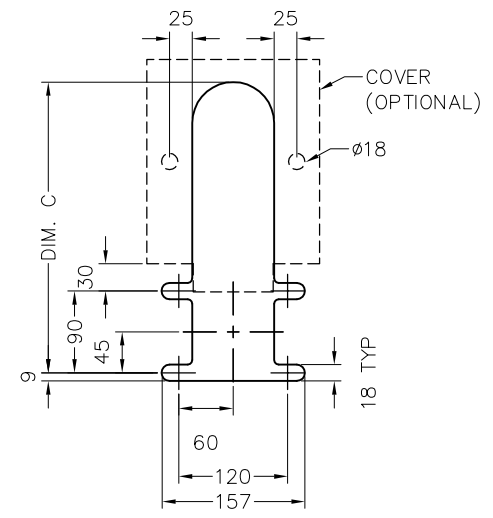


FRONT VIEW

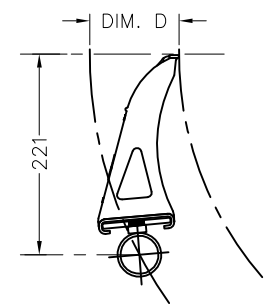
OPERATORS SIDE VIEW



CHUTE COVER DETAILS (SUPPLIED ON REQUEST)



OPERATOR & FAR SIDE MOUNT HOLES & CUT-OUT DETAILS - BY OTHERS



FAST FIT T2C SCRAPER SYSTEM BLADE MOUNTING DETAIL

- NOTES.
- SCRAPER DETAILED FOR A 1000mm WIDE BELT.
  - WHEN INSTALLING THE FAST FIT T2C SCRAPER THE CRITICAL DIMENSION IS THE 100mm FROM THE FACE OF THE BELT TO THE CENTER OF THE SCRAPER SHAFT. FOR SMALL DIAMETER HEAD PULLEY'S (LESS THAN 500mm DIA.) , PLEASE REFER TO DYNA ENGINEERING.
  - THE SCRAPER CAN BE INSTALLED AT OTHER ANGLES THAN THE OPTIMAL 15° BELOW CENTER. PLEASE REFER TO DYNA ENGINEERING.
  - SCRAPER WILL BE SUPPLIED WITH A SPECIALIZED TOOL FOR ADJUSTMENT, CONTACT DYNA FOR FURTHER INFORMATION
  - CHUTE COVER SUPPLIED ON REQUEST
  - TENSIONER CAN BE FITTED TO EITHER SIDE.

FOR SCRAPERS 1500 BELT WIDTH AND ABOVE CONTACT **DYNA ENGINEERING** FOR INSTALLATION ADVICE

BELT WIDTH	350	400	450	500	600	650	750	800	900	1000	1050	1100	1200	1350	1400	1500	1600	1800	2000	2100	2200	2400	2500	2600	2800	3000	3500
BLADE MODULES	2	3	3	4	5	6	6	7	7	8	9	10	11	12	13	13	14	15	16	17	18	22					
BLADE COVERAGE	300	450	450	600	750	900	900	1050	1050	1200	1350	1500	1650	1800	1950	1950	2100	2250	2400	2550	2700	3300					
SHAFT DIAMETER	Ø60.3													Ø76.1										Ø76.1 DUAL			
DIM. A	400	550	700	700	1000	1150	1150	1300	1600	1750	2050	2050	2200	2350	2500	2650	2800	3400									
DIM. B	1300	1500	1600	1800	2000	2100	2200	2400	2600	2900	3200	3400	3600	3700	3800	4000	4200	4700									
DIM. C (CUT OUT)	320						330						350						420								
NOM O/S CHUTE	700	900	1000	1200	1400	1500	1600	1800	2000	2300	2600	2800	3000	3100	3200	3400	3600	4100									

PULLEY DIAMETER	Ø350	Ø400	Ø500	Ø600	Ø700	Ø800	Ø900	Ø1000	Ø1100	Ø1200
DIM. D	118	111	100	92	85	79	75	71	68	66

- NOTES.
- FAST FIT T2C SCRAPER SHOWN IS FOR A 1000mm WIDE BELT.
  - PATENT PENDING 2015902549

**FASTFIT** ORDERING INFORMATION

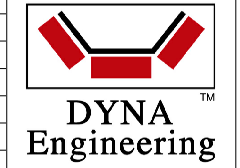
SCRAPER BODY PART NUMBER - 02-14-(BELT WIDTH)  
 EXAMPLE  
 1000 BELT WIDTH SCRAPER PART NUMBER - 02-14-1000

THIRD ANGLE PROJECTION DO NOT SCALE

G				TITLE			
F				FastFit T2C PRIMARY RETRACTABLE SCRAPER			
E				SHOWN WITH TWIST LOCK ADJUSTER			
D				GENERAL ARRANGEMENT			
C	DIMENSION TABLE (SHAFT DIMAETER)	SJ	GG	060917			
B	NEW DIMENSION TABLE (DIM. D)	SJ	GG	070317			
A	FIRST ISSUE	SJ	GG	070616			
No.	REVISION	DRN.	CHD.	DATE			

THIS IS A WORKSHOP DRAWING AND IS NOT TO BE ISSUED OUTSIDE OF DYNA ENGINEERING UNLESS AUTHORISED COPYRIGHT APPLIES.

DESIGN	DYNA
DRN.	SJ
DATE	070615
CHKD.	GG
DATE	070616
APPD.	
DATE	
SCALE	N.T.S.



P.O. BOX 84  
 BAYSWATER WA 6933  
 TEL: (08)9473 4300  
 FAX: (08)9473 4399

DWG No.	GA-0132	REV.	C	A3
---------	---------	------	---	----